



**Pablo®**  
2021  
NEW PRODUCTS

See the Light

## ABOUT PABLO DESIGNS

Pablo's designs have been propelled to the forefront of American contemporary lighting by an uncompromising devotion to simplicity and utility. By fusing the highest technical sensibilities with the most appropriate material palette, Pablo is able to create unique, timeless designs with the power to transform any environment. Pablo was founded in San Francisco in 1993 by Venezuelan born industrial designer Pablo Pardo. Embracing a less-is-more ideology, Pablo frequently challenges traditional design metaphors, developing more practical solutions distilled down to their essence, form and light. A common thread links all of its creations, valuing permanence and sustainability, discarding the disposable mindset so prevalent today. Its mission is to create designs that deepen the relationship between objects, their users, and their environments.

## FOUNDER / CREATIVE DIRECTOR

### Pablo Pardo

With the creation of his first product in 1993, Pablo established a powerful and generative design philosophy. Since then, his core principles have informed the development of every light in the studio's 28-year history. These products continue to move with culture while withstanding trends in design and each one carries the underlying uniqueness that is distinctly "Pablo."



## DESIGN COLLABORATIONS



### Brad Ascalon

Brad Ascalon's multidisciplinary Manhattan studio was founded in 2006. With a reductive approach to his craft, Ascalon believes in design that is uncomplicated, rational and manages to find the perfect balance of form, function, and concept. Ascalon's work has been exhibited around the world, and in 2013 he was singlehandedly invited to represent American design with an installation at Moscow Design Week. Ascalon earned a Masters' degree for Industrial Design from New York's Pratt Institute in 2005, and that same year was recognized by Wallpaper magazine as one of the "Ten Most Wanted", emerging designers in the world. He attributes his passion for design to the two generations before him who instilled the value of craftsmanship and rigor.



### Carmine Deganello

Based in Amsterdam and Milan, Deganello's creative process begins with materiality and an empirical approach that is highly experimental. Research on materials and the ways in which they can unexpectedly drive the productive process is essential to his work. His lamp, Solis, is a product of Carmine's shared sensibilities and long-term collaboration with Pablo. Deganello has worked extensively in Europe as well as the United States, his projects have been presented, among others, at the Triennale Design Museum as part of the New Italian Design collection and at the MAK Museum for applied and contemporary art in Vienna. He is a graduate of Florence's Instituto Superiore per la Industrie Artistiche.



### Pablo Studio

The Pablo Studio is a small group of makers and inventors with a diverse background in industrial design and craft, and a deep understanding of manufacturing, materials and technology. They aim to foster a sense of discovery and deeply personal utility in people's interaction with objects. In beginning a new project, the team isolates a concept, meticulously refines it, and then reduces it to its central principle. The studio requires each design element to contribute to the essence of an object, following the Pablo philosophy of "less is more." Pablo Studio works together to develop products that offer people unique experiences and broaden the field of lighting design.

## PRODUCT FAMILIES



BELMONT  
6-11



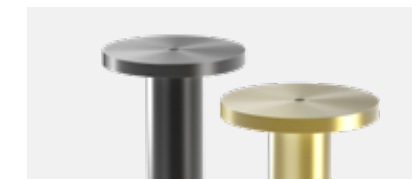
BOLA LANTERN  
12-17



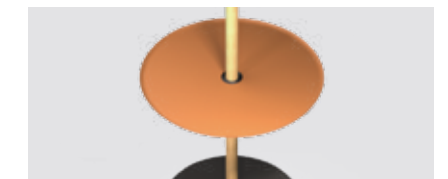
CANDEL  
18-21



CAROUSEL  
22-25



LUCI  
26-33



NIVEL  
34-37



SKY  
38-47



TALIA  
48-53

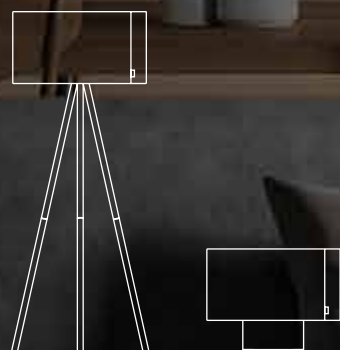


T.O.  
54-59

# BELMONT

The Belmont Collection was a collaborative creation with designer Brad Ascalon. Re-envisioning the traditional fabric shade lamp, but with the warmth and preciousness of hand crafted furniture. Belmont's iconic, yet reductive form creates a natural canvas for displaying an exquisite array of textiles from premium wool to colorful woven fabrics that can be paired with a solid crafted oak wood armature. Belmont Floor floats over a majestic trio of solid wood posts while Belmont Table sits atop a solid wood base that echoes the shade form. Perfectly suited for residential and hospitality environments alike, Belmont Floor and Table are offered in three luxurious shade colors with two rich wooden finishes.

Designer: Brad Ascalon + Pablo Pardo + Pablo Studio 2020



# BELMONT TABLE

## DESCRIPTION

An elegant interplay of proportion and material, the Belmont Table Lamp is designed to illuminate interiors from modern to traditional. Its iconic shade form is comprised of premium wool felt fabric or premium woven white fabric that is delicately balanced over a contrasting hand-crafted solid wood base in oak or walnut. Belmont's unique base also features full range dimming to set the perfect ambiance while two convenient USB ports offer charging capability for all your mobile devices. Belmont Table sits perfectly in residential as well as hospitality and contract environments offering a low sitting light solution that focuses on indirect upward light with a warm and bright glow. Three standard shade colors are interchangeable with 2 wood base finishes.

## FIXTURE TYPE

Table

## LIGHT SOURCE

(2) Feit E26 medium base A19/A21 Classic bulbs, 15W (100W equivalent) 1600 lm per bulb  
Optional: (2) Satco BT-15 Halogen, 72W, 1490 lm per bulb

## LIGHT CONTROL

In-line dimmer  
Full range dimming (100-10%)

## FEATURES

(2x) USB charging ports  
Full range dimming

## SPECIFICATIONS

Voltage: 120 or 240V 50/60Hz  
Power Consumption: 30W (2x 15W LED bulbs)  
Color Temperature: 2900K  
Luminosity: 3200 Lumens  
Luminaire efficacy: 106 Lumens/Watt  
Color Rendition Index: 90 CRI  
Cable Length: 9' (2.7m)

## CERTIFICATIONS



## PACKAGING WEIGHT AND DIMENSIONS

Belmont Table	11LBS	22.5" X 17" X 8.5"
	5KG	57.2cm X 43cm X 17.8cm



## FINISHES

### WOOD



OAK



WALNUT

### FABRIC



CHARCOAL



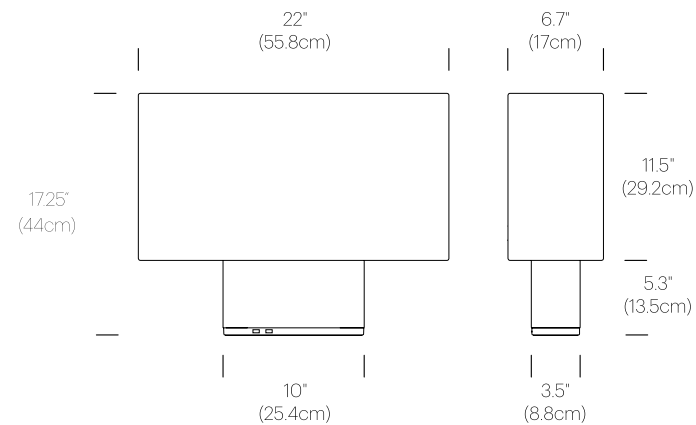
SILVERDALE



WHITE

## DIMENSIONS

### BELMONT TABLE



## NOTES

Custom requests can be considered on volume orders



# BELMONT FLOOR

## DESCRIPTION

An elegant interplay of proportion and material, Belmont Floor's timeless design is perfectly at home in both modern and traditional settings. Its iconic raceway shade form is lined with premium felted wool or premium woven white fabric that is delicately balanced over a graceful tri-pod leg assembly hand-crafted from solid oak or walnut. Belmont Floor's majestic frame stands at a 62.5" (159cm) height providing warm and bright illumination that's fully dimmable to set the perfect ambiance in any living area. Perfectly suited for residential and hospitality environments alike, Belmont Floor is offered in three luxurious shade colors with rich wooden finishes.

## FIXTURE TYPE

Table

## LIGHT SOURCE

(2) Feit E26 medium base A19/A21 Classic bulbs, 15W (100W equivalent) 1600 lm per bulb  
Optional: (2) Satco BT-15 Halogen, 72W, 1490 lm per bulb

## LIGHT CONTROL

In-line foot switch  
Full range dimming (100-10%)

## FEATURES

Ambient direct and indirect light source  
ships flat-packed

## SPECIFICATIONS

Voltage: 120 or 240V 50/60Hz  
Power Consumption: 30W (2x 15W LED bulbs)  
Color Temperature: 2900K  
Luminosity: 3200 Lumens  
Luminaire efficacy: 106 Lumens/Watt  
Color Rendition Index: 90 CRI  
Cable Length: 9' (2.7m)

## CERTIFICATIONS



## PACKAGING WEIGHT AND DIMENSIONS

Belmont Floor	7.7LBS	22.5" X 17" X 8.5"
(shade and socket)	3.5KG	57.2cm X 43cm X 17.8cm
Belmont Floor	5.7 LBS	28.9" X 4.1" X 3.9"
(legs)	2.4KG	73.5cm X 10.3cm X 10cm

## NOTES

Custom requests can be considered on volume orders



## FINISHES

### WOOD



OAK



WALNUT

### FABRIC



CHARCOAL



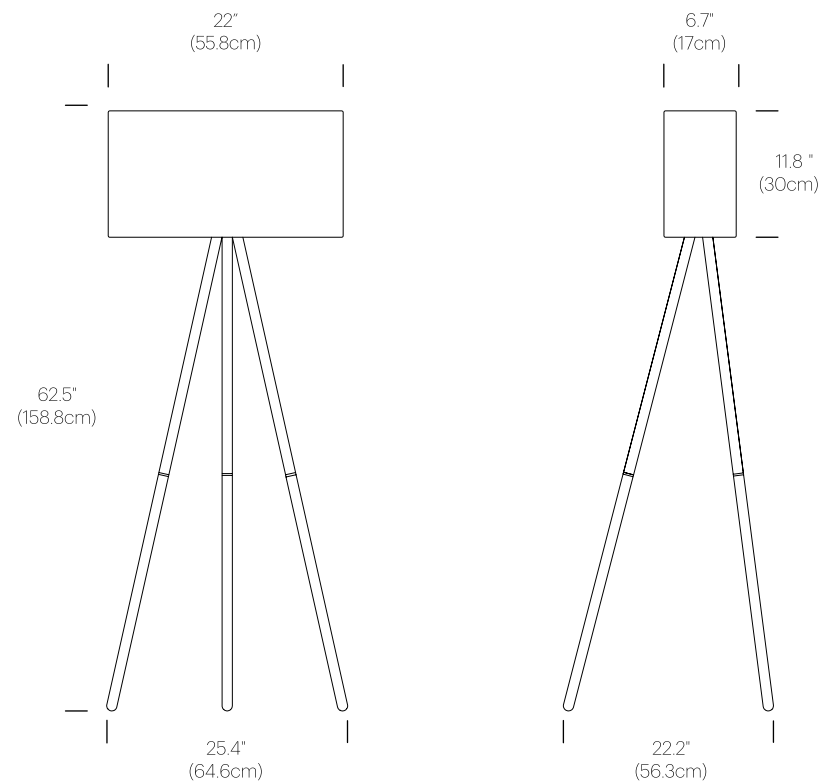
SILVERDALE



WHITE

## DIMENSIONS

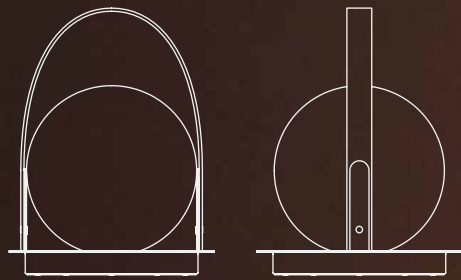
### BELMONT FLOOR



# BOLA LANTERN

Based on the Bola Sphere Table 8, the Bola Lantern adds a premium leather handle and a rechargeable battery that enables a level of portability new to the Bola Family. Bola Lantern's size and stature give a sense of presence that is unbound with portables, while maintaining the lightness associated with the floating orbs that are Bola. Discs are available in chrome, brass, gunmetal, and matte black. The leather handles are available in a natural vegetable tanned leather and black. Battery life ranges from 10 - 300+ hours depending on light intensity. Bola Lantern produces 280 lumens of warm ambient light.

Designer:  
Pablo Pardo + Pablo Studio 2021



# BOLA LANTERN

## DESCRIPTION

Based on the Bola Sphere Table 8, the Bola Lantern adds a premium leather handle and a rechargeable battery that enables a level of portability new to the Bola Family. Bola Lantern's size and stature give a sense of presence that is unfound with portables, while maintaining the lightness associated with the floating orbs that are Bola. Discs are available in chrome, brass, gunmetal, and matte black. The leather handles are available in a natural vegetable tanned leather and black. Battery life ranges from 10 - 300+ hours depending on light intensity. Bola Lantern produces 280 lumens of warm ambient light.

## FIXTURE TYPE

Portable

## LIGHT SOURCE

LED High-Output chip on board

## LIGHT CONTROL

Mechanical push button

Full range dimming (100-10%)

4-stage dimming (100/40/20/3%)

## FEATURES

Portable and rechargeable

10-300+hr Battery life

USB charging cable included

Surface mount

## SPECIFICATIONS

Voltage: 120 or 240V 50/60Hz

Power Consumption: 3.2W

Color Temperature: 2700-1800K (warm dim)

Luminosity: 280 Lumens

Luminaire Efficacy: 87 Lumens/Watt

Color Rendition Index: 95 CRI

Cord length 6' (1.8m)

IP 54 Damp rating

## CERTIFICATIONS



## PACKAGING WEIGHT AND DIMENSIONS

Bola Lantern	4LBS	10" X 10.8" X 14.5"
	1.8KG	25cm X 25cm X 37cm

## NOTES

Custom requests can be considered on volume orders



## FINISHES

### LEATHER HANDEL



BLACK



TAN

### DISC



GUNMETAL



CHROME



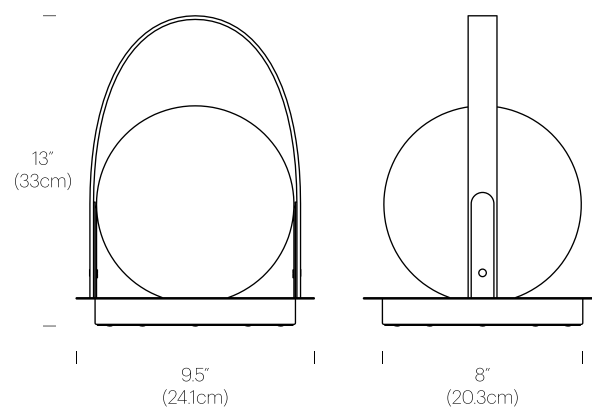
MATTE BLACK



BRASS

## DIMENSIONS

### BOLA LANTERN



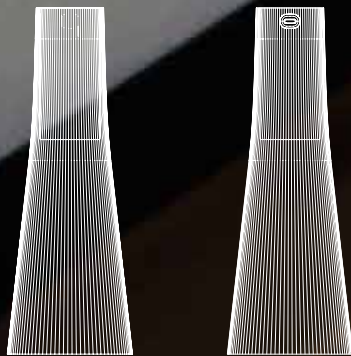


# CANDÉL

Inspired by a cone of light, Candél's graceful vessel-like silhouette is in perfect harmony with its surroundings allowing the environment to filter through. Candél casts a warm, intimate candle-like glow that's sure to seduce and become the central focus of any social gathering. Candél is a fully rechargeable portable LED light designed for both indoors and outdoors. Features a robust PMMA body in Clear or Bronze tint combined with a striking anodized aluminum light module that offers capacitive touch light control to provide up to 4 light levels to set the perfect ambiance. Battery life ranges from 10 to 150+ hours depending on light intensity.

Designer:  
Pablo Pardo + Pablo Studio 2020

Awards:  
2020 Hospitality Design Product Award



# CANDÉL

## DESCRIPTION

Candél is a fully rechargeable portable LED light designed for both indoors and outdoors. Features a robust PMMA body in clear and Bronze tint combined with a striking anodized aluminum light and battery module that features capacitive touch technology for adjusting light intensity. Battery life: 10-150+ hours depending on light intensity.

## FIXTURE TYPE

Portable

## LIGHT SOURCE

LED High-Output chip on board

## LIGHT CONTROL

Capacitive touch switch  
4-stage dimming (100/70/30/7%)

## FEATURES

Portable and rechargeable  
10-150+hr battery life  
USB charging cable included

## SPECIFICATIONS

Voltage: 120-240V 50/60Hz  
Power Consumption: 1.5W  
Color Temperature: 2500-1800K (Warm Dim)  
Luminosity: 100 Lumens  
Luminaire Efficacy: 48 Lumens/Watt  
Color Rendition Index: 94 CRI  
Cable length: 6' (183cm)  
IP54 damp rated

## CERTIFICATIONS



## PACKAGING WEIGHT AND DIMENSIONS

Candél:	1.5LBS	4" X 11.8"
	.68KG	10cm X 30cm



## FINISHES

CANDEL



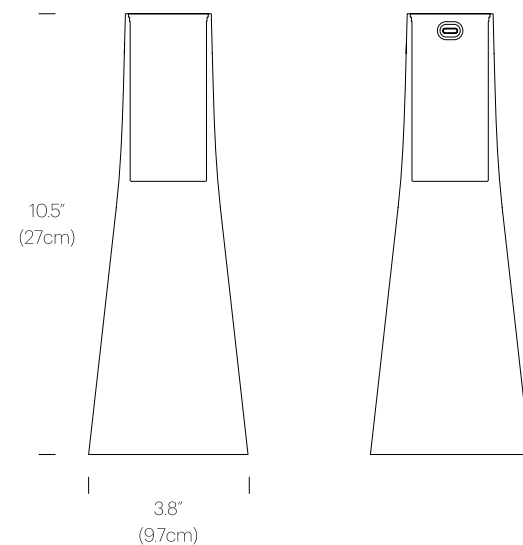
CLEAR/SILVER



BRONZE/BRASS

## DIMENSIONS

CANDEL



## NOTES

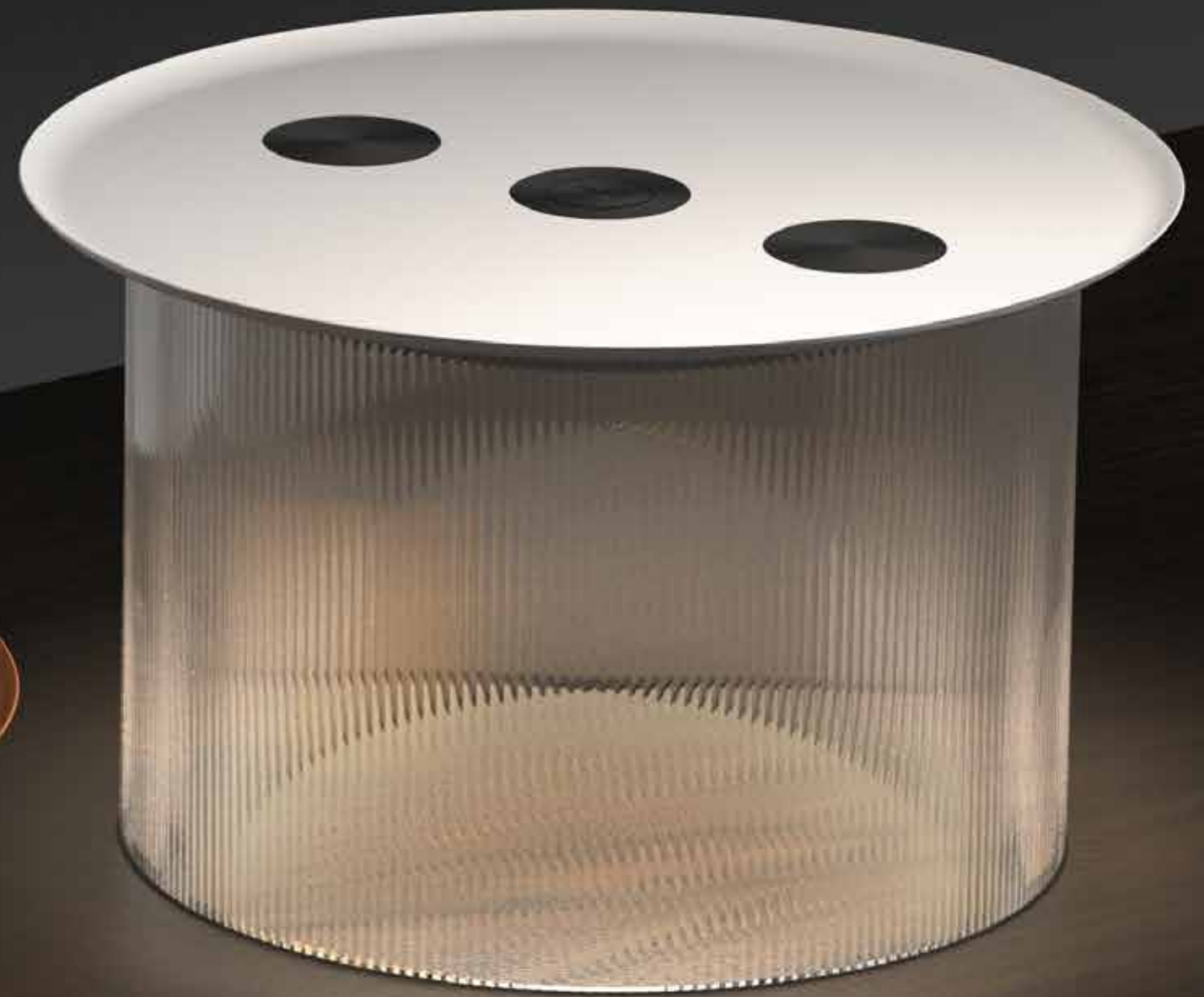
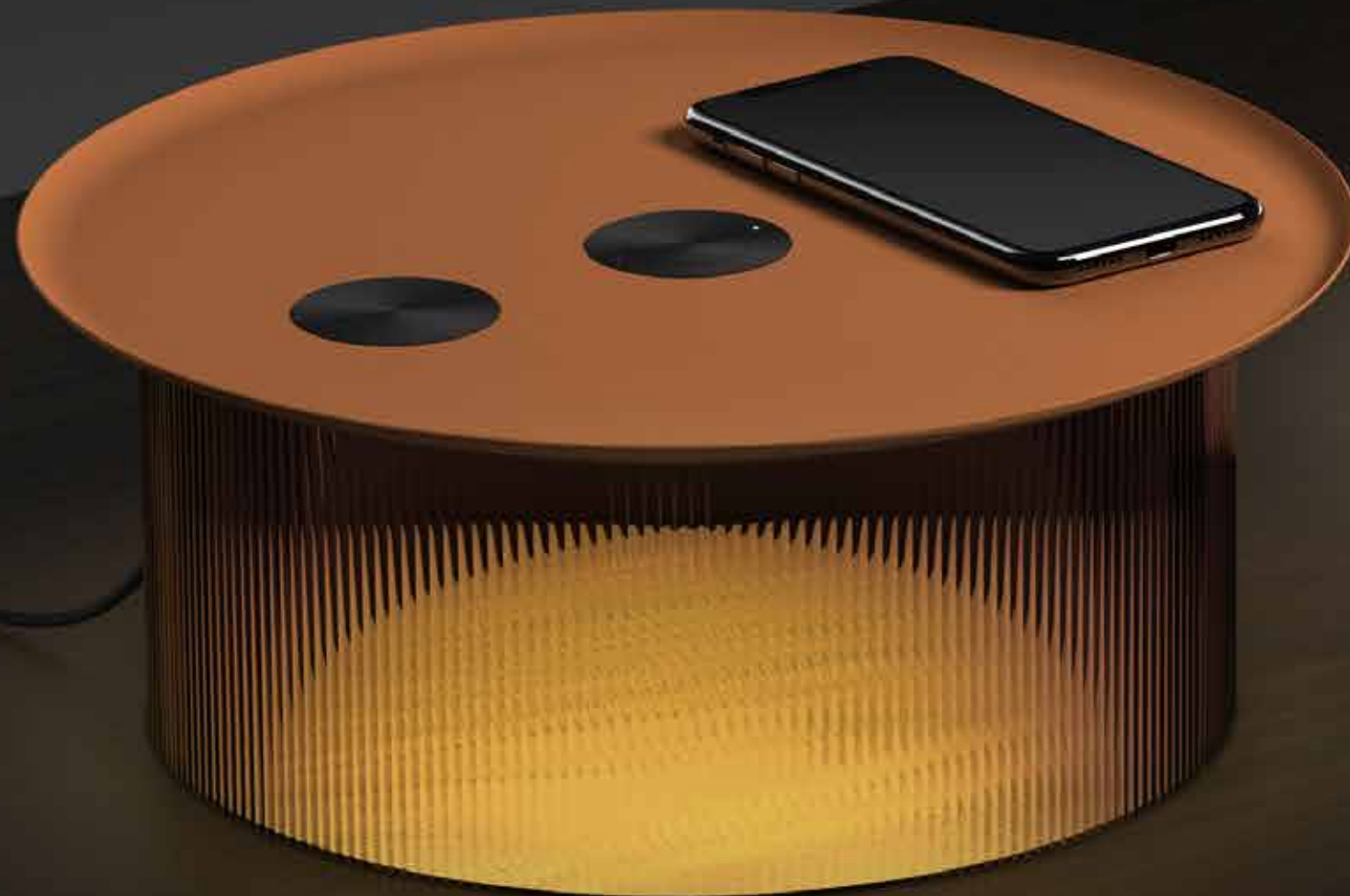
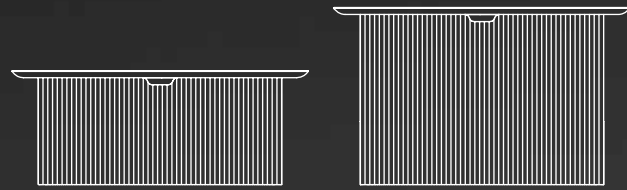
Custom requests can be considered on volume orders



# CAROUSEL

Carousel blurs the line between ambiance and utility combining a low setting wireless charging tray surface for your mobile devices with warm, glare-free illumination. It's low profile LED light module is discreetly concealed below its mating tray and suspended atop a transparent fluted acrylic cylinder diffuser that radiates mesmerizing light patterns onto the table surface below. Perfectly suited for desktop or bedside use, Carousel embodies a uniquely hybrid perspective on what a personal light can be. The base diffuser is offered in both clear and bronze tint and can be paired with a spun steel tray in matte white, terra cotta, and graphite finishes.

Designer:  
Pablo Pardo + Pablo Studio 2021



# CAROUSEL

## DESCRIPTION

Carousel blurs the line between ambiance and utility combining a low setting wireless charging tray surface for your mobile devices with warm, glare-free illumination. It's low profile LED light module is discreetly concealed below its mating tray and suspended atop a transparent fluted acrylic cylinder diffuser that radiates mesmerizing light patterns onto the table surface below. Perfectly suited for desktop or bedside use, Carousel embodies a uniquely hybrid perspective on what a personal light can be. The base diffuser is offered in both clear and bronze tint and can be paired with a spun steel tray in matte white, terra cotta, and graphite finishes.

## FIXTURE TYPE

Table

## LIGHT SOURCE

High output LED array

## LIGHT CONTROL

Capacitive touch switch

## FEATURES

Wireless charging w/ indicator light (2)

## SPECIFICATIONS

Voltage: 120-240V 50/60Hz

Power Consumption: 3.2W

Color Temperature: 2700-1800K

Luminosity: 225 Lumens

Luminaire Efficacy: 110 Lumens/Watt

Color Rendition Index: 90 CRI

Cable length: 6' (183cm)

## CERTIFICATIONS



## PACKAGING WEIGHT AND DIMENSIONS

Carousel 110:	4.5LBS 2KG	14" X 14" X 12" 35cm X 35cm X 30cm
Carousel 175:	5LBS 2.25KG	14" X 14" X 12" 35cm X 35cm X 30cm

## NOTES

Custom requests can be considered on volume orders

\*Available January 2022



## FINISHES

### CANDEL



CLEAR/  
WHITE



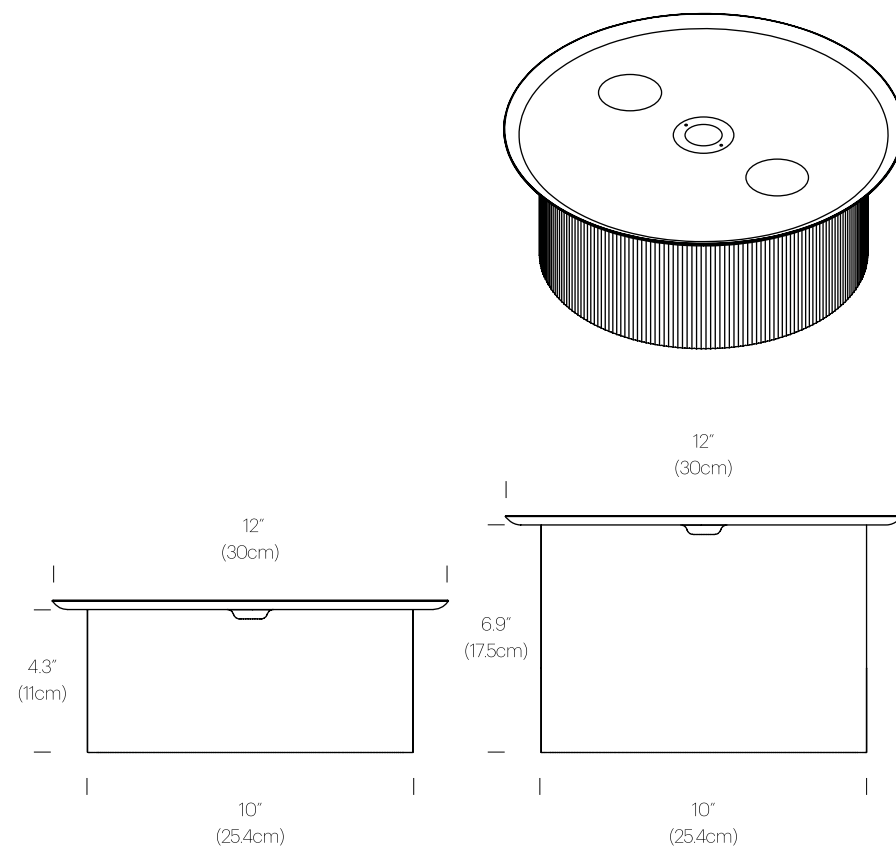
BRONZE/  
GRAPHITE



BRONZE/  
TERRA COTTA

## DIMENSIONS

### CAROUSEL



# LUCI

Luci is a portable lamp that allows you to take your ambiance wherever you go. Just as happy indoors as out, Luci will gracefully place a soft spot of illumination where desired. Its reductive form is reflective of Pablo's legacy in pendant lighting while its portability provides an insight into the future of interior illumination. Luci is activated via optical touch switch located atop the shade. Luci will be offered in three machine trace finishes in silver, brass, and black as well as a painted white.

Designer:  
Pablo Pardo + Pablo Studio 2021



# LUCI TABLE

## DESCRIPTION

Luci Table is a portable lamp that allows you to take your ambiance wherever you go. Just as happy indoors as out, Luci will gracefully place a soft spot of illumination where desired. Its reductive form is reflective of Pablo's legacy in pendant lighting while its portability provides an insight into the future of interior illumination. Luci is activated via optical touch switch located atop the shade. Luci Table will be offered in three machine trace finishes in silver, brass, and black as well as a painted white.

## FIXTURE TYPE

Table

## LIGHT SOURCE

Flat Panel LED

## LIGHT CONTROL

Optical switch

Full range dimming (100-10%)

3-stage dimming (100/40/10%)

## FEATURES

Portable and rechargeable

## SPECIFICATIONS

Voltage: 120-240V 50/60Hz

Power Consumption: 2.1W

Color Temperature: 2700K - 2200K (Warm dim)

Luminosity: 150 Lumens

Luminaire efficacy: 57 Lumens/Watt

Color Rendition Index: 90+ CRI

Cable Length: 6' (182cm)

## CERTIFICATIONS



## PACKAGING WEIGHT AND DIMENSIONS

Luci Table:	2.5LBS	5.5" X 5.5" X 11.5"
	1.1KG	14cm X 14cm X 30cm



## FINISHES

LUCI TABLE



BLACK



WHITE



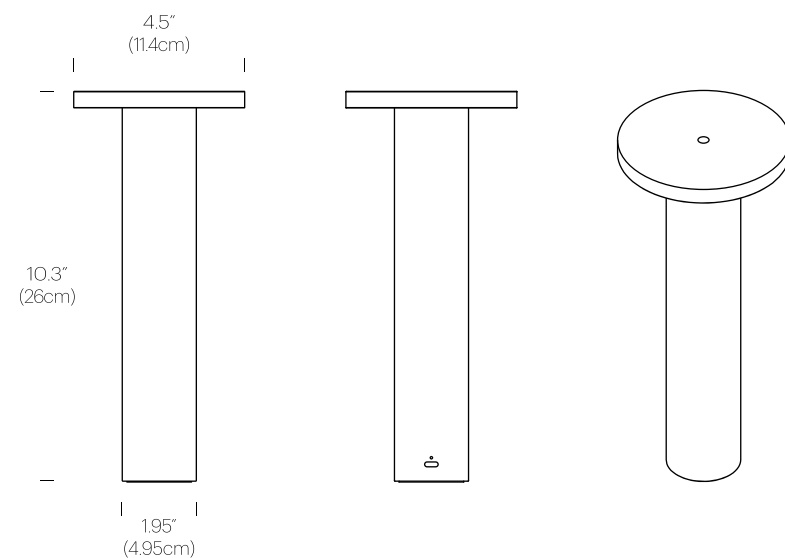
SILVER



BRASS

## DIMENSIONS

LUCI TABLE



## NOTES

Custom requests can be considered on volume orders

\*Available November 2021

# LUCI FLOOR

## DESCRIPTION

The Luci is a portable lamp that allows you to take your ambiance wherever you go. Just as happy indoors as it is for light outdoor activities, Luci will gracefully place illumination where you need it. Offered in a variety of painted colors to compliment your interior or exterior spaces, Luci is at home in your office, hospitality, residential, or outdoor entertaining space.

## FIXTURE TYPE

Floor

## LIGHT SOURCE

Flat panel LED

## LIGHT CONTROL

Optical switch

Full range dimming (100-10%)

3-stage dimming (100/40/10%)

## FEATURES

Portable and rechargeable

## SPECIFICATIONS

Voltage: 120-240V 50/60Hz

Power Consumption: 5.3W

Color Temperature: 2700K-2200K (warm dim)

Luminosity: 350 Lumens

Luminaire efficacy: 57 Lumens/Watt

Color Rendition Index: 9+ CRI

Cable Length: 9'(2.7m)

IP54 Damp rating

## CERTIFICATIONS



## PACKAGING WEIGHT AND DIMENSIONS

Luci Floor:	7LBS	11" X 23" X 3"
	3KG	28cm X 58cm X 7.6cm

## NOTES

Custom requests can be considered on volume orders

\*Available November 2021



## FINISHES

LUCI FLOOR



WHITE



BLACK



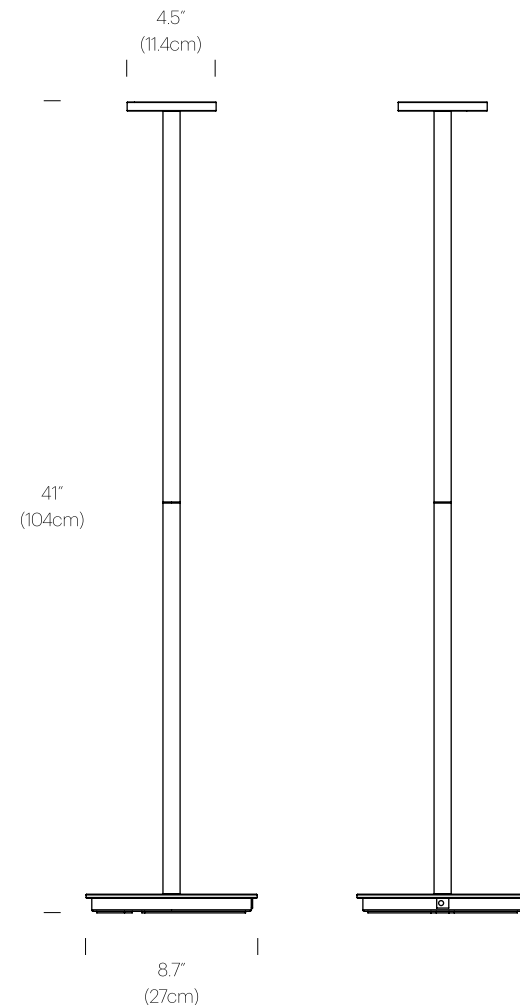
BRASS



SILVER

## DIMENSIONS

LUCI FLOOR

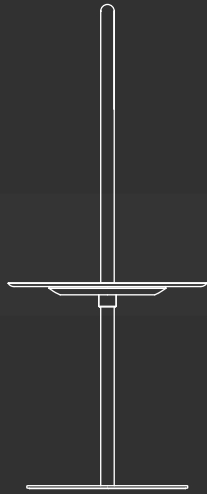




# NIVÉL

At the intersection of functional lighting and furniture, you find Nivel. As an adjustable height side table, Nivel provides a totem to gather around. Sturdy enough to rest a few beverages atop while nimble enough to be raised or lowered at a moment's notice. Its cleverly designed light module rests securely fastened around a solid wood post fastened to a powder-coated steel base for added footing. A soft ambient downward facing light panel completes the package, bringing an unobtrusive light source to your home or office space. The post is offered in both solid oak and walnut and can be paired with a powder-coated tray in white, terra cotta, and graphite.

Designer:  
Pablo Pardo + Pablo Studio 2021



# NIVEL

## DESCRIPTION

At the intersection of functional lighting and furniture, you find Nivel. As an adjustable height side table, Nivel provides a totem to gather around. Sturdy enough to rest a few beverages atop while nimble enough to be raised or lowered at a moment's notice. Its cleverly designed light module rests securely fastened around a solid wood post fastened to a powder-coated steel base for added footing. A soft ambient downward facing light panel completes the package, bringing an unobtrusive light source to your home or office space. The post is offered in both solid oak and walnut and can be paired with a powder-coated tray in white, terra cotta, and graphite.

## FIXTURE TYPE

Portable

## LIGHT SOURCE

High output LED array

## LIGHT CONTROL

Capacitive touch switch  
Full range dimming (100-10%)  
3-stage dimming (100/40/10%)

## FEATURES

Portable and rechargeable  
Adjustable height tray surface  
USB-C charging port

## SPECIFICATIONS

Voltage: 120-240V 50/60Hz  
Power Consumption: 3.2W  
Color Temperature: 2700-1800K (warm dim)  
Luminosity: 225 Lumens  
Luminaire Efficacy: 87 Lumens/Watt  
Color Rendition Index: 95 CRI  
Cord length 9' (2.7m)  
IP 54 Damp rating

## CERTIFICATIONS



## PACKAGING WEIGHT AND DIMENSIONS

Nivel	4.5LBS	14" X 14" X 12"
(Lamp, base and tray)	2KG	35cm X 35cm X 30cm
Nivel	1.5LBS	2" X 2" X 50"
(Post)	.7KG	5cm X 5cm X 127cm

## NOTES

Custom requests can be considered on volume orders  
\*Available January 2022



## FINISHES

NIVEL



OAK/  
WHITE



OAK/  
TERRA COTTA



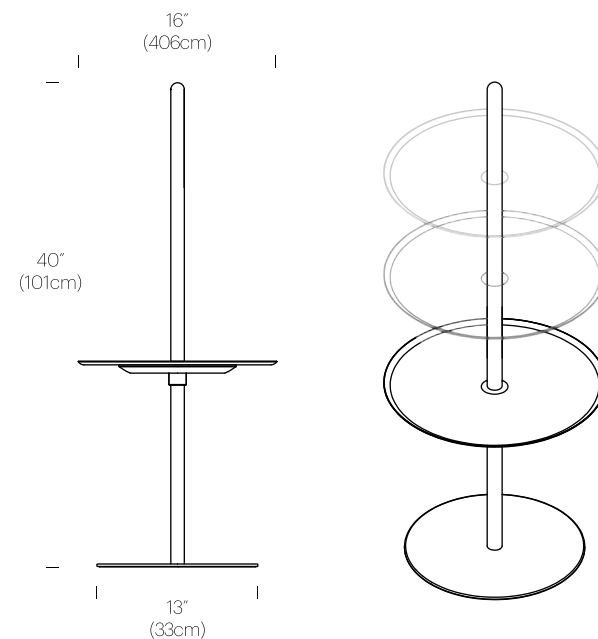
WALNUT/  
TERRA COTTA



WALNUT/  
GRAPHITE

## DIMENSIONS

NIVEL

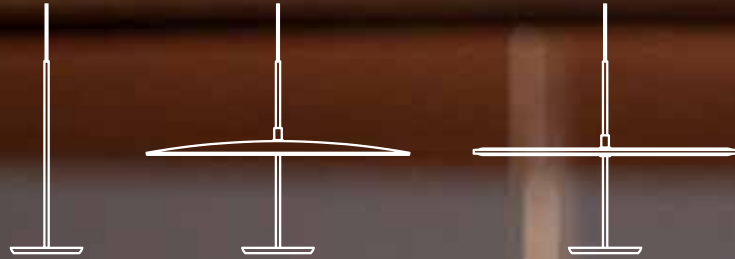


# SKY

The Sky Collection was inspired as a modular pendant lighting system and Sky Solo is the core foundational element. Its minimal all-aluminum design highlights a powerful two-sided flat panel light source with Dim to Warm LED technology that can deliver up to 1250 lumens of warm ambient light in all directions. Sky Solo can be suspended individually, in series, or as striking chandelier groupings for residential, contract, and hospitality settings alike. Solo's light element can also be combined with a wide range of premium shade reflectors in metal, wood, and acoustic felt to provide an extraordinary breadth of performance and decorative solutions for residential, office, and hospitality settings alike.

Designer:  
Pablo Pardo + Pablo Studio 2020

Awards:  
2020 IDA Award  
2020 NYCxDESIGN Award



# SKY SOLO

## DESCRIPTION

The Sky Collection was inspired as a modular pendant lighting system and Sky Solo is its core foundational element. Its minimal all-aluminum design highlights a powerful two-sided flat panel light source with Dim to Warm LED technology that can deliver up to 1250 lumens of warm ambient light in all directions. Sky Solo can be suspended individually, in series, or as striking chandelier groupings for residential, contract, and hospitality settings alike. Solo's light element can also be combined with a wide range of premium shade reflectors in metal, wood and acoustic felt to provide an extraordinary breadth of performance and decorative solutions.

## FIXTURE TYPE

Pendant

## LIGHT SOURCE

LED Flat-Panel

## LIGHT CONTROL

Hard-wired  
Fully dimmable

## FEATURES

Dim-to-Warm (DTW) Light Source  
Uplight/Downlight  
Energy-efficient, flat panel technology  
Glare-free illumination

## SPECIFICATIONS

Voltage: 120 or 240V 50/60Hz  
(100-277V 50/60Hz Available upon request)  
Power Consumption: 18W MAX  
Color Temperature: 2700-2200K (warm dim)  
*Note: 3000K CCT models and 2700 CCT models Available Upon Request*  
Luminosity: 1250 Lumens (850 down/400 up)  
Luminaire efficacy: 58 Lumens/Watt  
Color Rendition Index: 90 CRI  
50K hour lifespan  
Cable Length: 10' (3m) (Field cuttable)  
ELV Dimmer recommended

## CERTIFICATIONS



## PACKAGING WEIGHT AND DIMENSIONS

Sky Solo	3.1LBS	10.2" X 19" X 2.4"
	1.4KG	26cm X 48cm X 6cm

## NOTES

Custom requests can be considered on volume orders



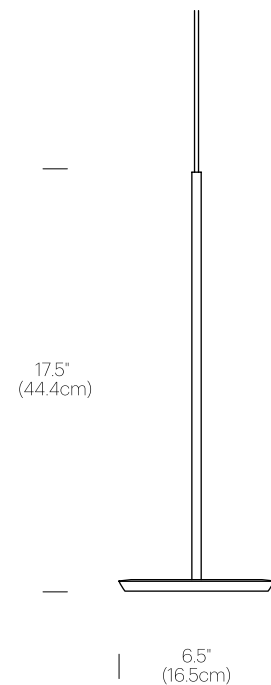
## FINISHES



POLISHED ALUMINUM

## DIMENSIONS

SKY SOLO



# SKY DOME METAL

## DESCRIPTION

The Sky Collection is a modular pendant lighting system featuring multiple shade reflector solutions for various decorative and performance benefits. Sky Dome is available in both spun aluminum and pressed wood shade reflectors that when combined with their powerful 2-sided LED light source gives the lamp a weightless appearance while providing unparalleled illumination in all directions. Sky Dome combined form and function with unsurpassed quality and is available in 3 sizes : 18" (45.8cm)/24" (61cm)/32" (81cm).

## FIXTURE TYPE

Pendant

## LIGHT SOURCE

LED Flat-Panel downlight/High-output LED array uplight

## MODELS

Sky Dome 18 Metal  
Sky Dome 24 Metal  
Sky Dome 32 Metal

## LIGHT CONTROL

Hard-wired  
Fully dimmable

## FEATURES

Dim-to-Warm (DTW) Light Source  
Uplight/Downlight  
Energy-efficient, flat panel technology  
Glare-free illumination

## SPECIFICATIONS

Voltage: 120 or 240V 50/60Hz  
(100-277V 50/60Hz Available upon request)  
Power Consumption: 18W MAX  
Color Temperature: 2700-2200K (warm dim)  
*Note: 3000K CCT models and 2700 CCT models Available Upon Request*  
Luminosity: 1250 Lumens (850 down/400 up)  
Luminaire efficacy: 58 Lumens/Watt  
Color Rendition Index: 90 CRI  
50K hour lifespan  
Cable Length: 10' (3m) (Field cuttable)  
ELV Dimmer recommended

## CERTIFICATIONS



## PACKAGING WEIGHT AND DIMENSIONS

Sky Solo	3.1LBS	10.2" X 19" X 2.4"
(Lamp)	1.4KG	26cm X 48cm X 6cm
Sky Dome Metal 18	3.1LBS	21.3" X 20.4" X 2.9"
(Shade)	1.4KG	54cm X 52cm X 7.3cm
Sky Dome Metal 24	5.1LBS	27.1" X 26.4" X 3.25"
(Shade)	2.3KG	69cm X 67cm X 8.2cm
Sky Dome Metal 32	9.5LBS	35" X 34.8" X 3.9"
(Shade)	4.3KG	89cm X 88cm X 10cm

## NOTES

Custom requests can be considered on volume orders



## FINISHES

### LAMP



POLISHED ALUMINUM

### DOME



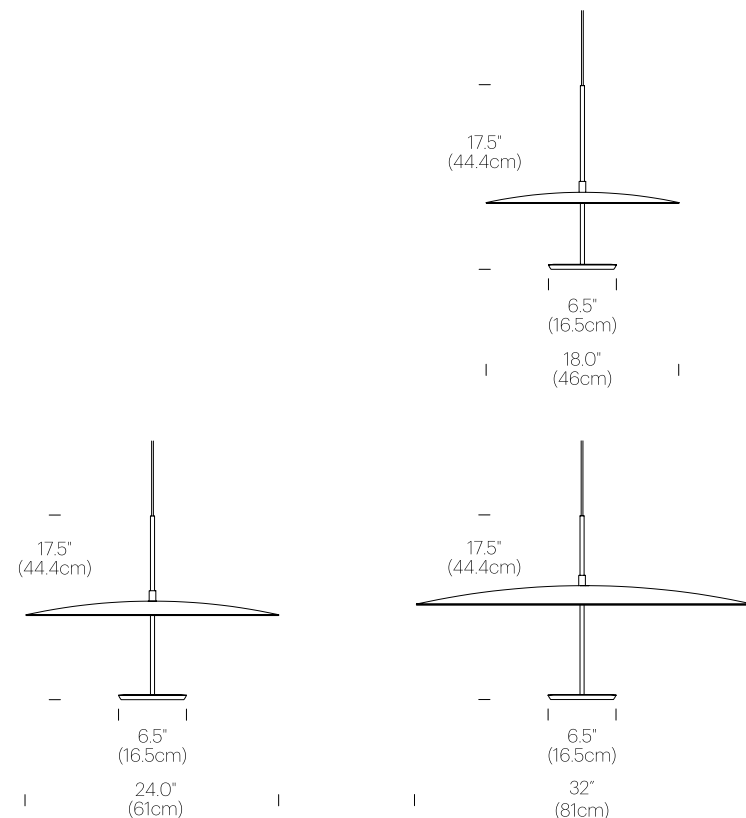
BLACK



WHITE

## DIMENSIONS

SKY DOME METAL 18, 24, 32



# SKY DOME WOOD

## DESCRIPTION

The Sky Collection is a modular pendant lighting system featuring multiple shade reflector solutions for various decorative and performance benefits. Sky Dome is available in both spun aluminum and pressed wood shade reflectors that when combined with their powerful 2-sided LED light source gives the lamp a weightless appearance while providing unparalleled illumination in all directions. Sky Dome combined form and function with unsurpassed quality and is available in 2 sizes : 18" (45.8cm) and 24" (61cm).

## FIXTURE TYPE

Pendant

## LIGHT SOURCE

LED Flat-Panel downlight/High-output LED array uplight

## MODELS

Sky Dome 18 Wood  
Sky Dome 24 Wood

## LIGHT CONTROL

Hard-wired  
Fully dimmable

## FEATURES

Dim-to-Warm (DTW) Light Source  
Uplight/Downlight  
Energy-efficient, flat panel technology  
Glare-free illumination

## SPECIFICATIONS

Voltage: 120 or 240V 50/60Hz  
(100-277V 50/60Hz Available upon request)  
Power Consumption: 18W MAX  
Color Temperature: 2700-2200K (warm dim)  
*Note: 3000K CCT models and 2700 CCT models Available Upon Request*  
Luminosity: 1250 Lumens (850 down/400 up)  
Luminaire efficacy: 58 Lumens/Watt  
Color Rendition Index: 90 CRI  
50K hour lifespan  
Cable Length: 10' (3m) (Field cuttable)  
ELV Dimmer recommended

## CERTIFICATIONS



## PACKAGING WEIGHT AND DIMENSIONS

Sky Solo	3.1LBS	10.2" X 19" X 2.4"
(Lamp)	1.4KG	26cm X 48cm X 6cm
Sky Dome Wood 18	3.3LBS	21.3" X 20.4" X 2.9"
(Shade)	1.4KG	54cm X 52cm X 7.3cm
Sky Dome Wood 24	5.5LBS	27.1" X 26.4" X 3.25"
(Shade)	2.5KG	69cm X 67cm X 8.2cm

## NOTES

Custom requests can be considered on volume orders



## FINISHES

### LAMP



POLISHED ALUMINUM

### DOME



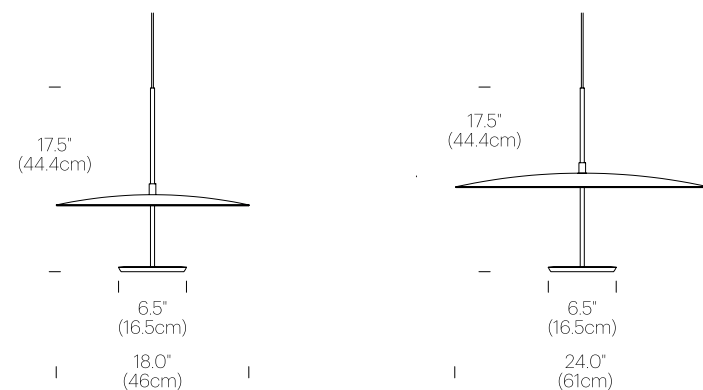
WALNUT



WHITE OAK

## DIMENSIONS

SKY DOME WOOD 18, 24



# SKY SOUND

## DESCRIPTION

The Sky Collection is a modular pendant lighting system featuring multiple shade reflector solutions for various decorative and performance benefits. Sky Sound combines Acoustic performance with powerful omnidirectional illumination to provide a one of a kind pendant solution that minimizes ambient noise and contributes to a positive workspace. Its elegant PET felted disc shade is suspended by a polished aluminum mast and is available in 18" (45.8cm)/24" (61cm)/32" (81cm) sizes with rich and vibrant colorways to create a harmonious environment of light and quiet to enhance our wellbeing.

## FIXTURE TYPE

Pendant

## LIGHT SOURCE

LED Flat-Panel downlight/High-output LED array uplight

## MODELS

Sky Sound 18  
Sky Sound 24  
Sky Sound 32

## LIGHT CONTROL

Hard-wired  
Fully dimmable

## FEATURES

Dim-to-Warm (DTW) Light Source  
Uplight/Downlight  
Energy-efficient, flat panel technology  
Glare-free illumination

## SPECIFICATIONS

Voltage: 120 or 240V 50/60Hz  
(100-277V 50/60Hz Available upon request)  
Power Consumption: 18W MAX  
Color Temperature: 2700-2200K (warm dim)  
*Note: 3000K CCT models and 2700 CCT models Available Upon Request*  
Luminosity: 1250 Lumens (850 down/400 up)  
Luminaire efficacy: 58 Lumens/Watt  
Color Rendition Index: 90 CRI  
50K hour lifespan  
Cable Length: 10' (3m) (Field cuttable)  
ELV Dimmer recommended

## CERTIFICATIONS



## PACKAGING WEIGHT AND DIMENSIONS

Sky Solo	3.1LBS	10.2" X 19" X 2.4"
(Lamp)	1.4KG	26cm X 48cm X 6cm
Sky Sound 18	2.5LBS	21.3" X 20.4" X 2.9"
(Shade)	1.9KG	54cm X 52cm X 7.3cm
Sky Sound 24	4.1LBS	27.1" X 26.4" X 3.25"
(Shade)	2.4KG	69cm X 67cm X 8.2cm
Sky Sound 32	7.2LBS	35" X 34.8" X 3.9"
(Shade)	3.3KG	89cm X 88cm X 9.8cm

## NOTES

Custom requests can be considered on volume orders



## FINISHES

LAMP



POLISHED ALUMINUM

SHADE



ANTHRACITE



STONE



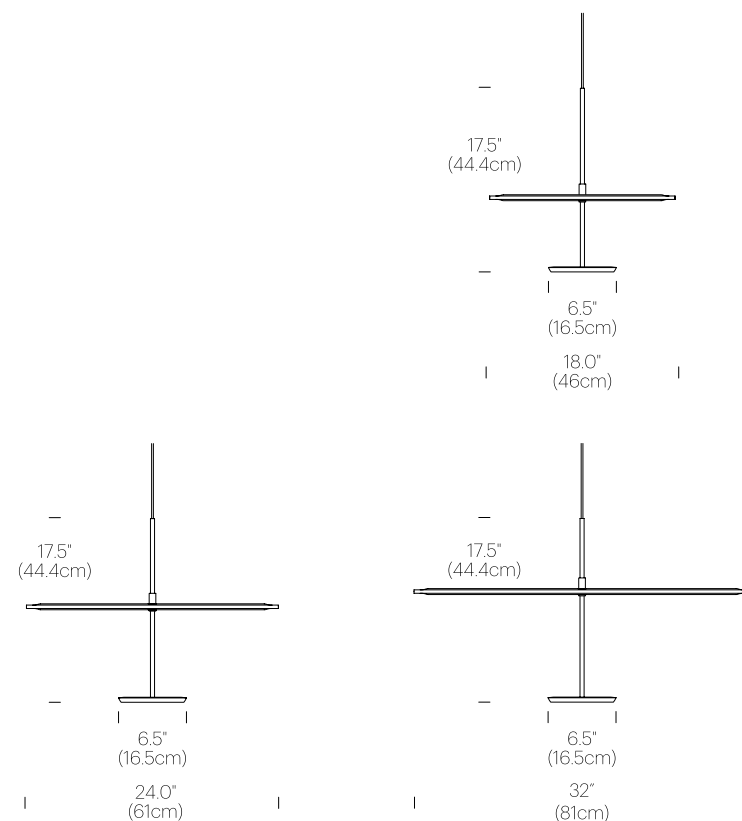
TURQUIOSE



CHESTNUT

## DIMENSIONS

SKY SOUND 18, 24, 32



# TALIA

Talia's refined and compact design embraces only the essential elements to fulfill its purpose. Smart and powerful, Talia is designed for maximum light control, pairing fully dimmable and glare-free flat panel technology with 360° post rotation and 180° shade rotation to satisfy both task and ambient lighting needs alike. Talia Table also features wireless induction charging to accommodate mobile devices + USB port for added convenience. Available in both Table and Floor standing models, Talia is offered in 6 elegant colorway and metallic accent combinations to provide a refined touch to any setting and decor.

Designer:  
Pablo Pardo + Carmine Deganello + Pablo Studio 2020

Awards:  
2021 European Product Design Award



# TALIA TABLE

## DESCRIPTION

Talia's refined and compact design embraces only the essential elements to fulfill its purpose. Smart and powerful, Talia is designed for maximum light control, pairing fully dimmable and glare-free flat panel technology with 360° post rotation and 180° shade rotation to satisfy both task and ambient lighting needs alike. Talia Table also features wireless induction charging to accommodate mobile devices + USB port for added convenience. Available in both Table and Floor standing models, Talia is offered in 6 elegant colorway and metallic accent combinations to provide a refined touch to any setting and decor.

## FIXTURE TYPE

Table

## LIGHT SOURCE

Flat Panel LED

## LIGHT CONTROL

Optical switch

Full range dimming (100-10%)

2-stage dimming (100/40%)

## FEATURES

Wireless charging w/ indicator light

USB charging port

360° post rotation

180° shade rotation

ADA compliant

6 hour auto off

## SPECIFICATIONS

Voltage: 120/240V 50-60Hz

Power Consumption: 5.1W MAX

Color temperature: 3000K

Luminosity: 350 Lumens

Luminaire efficacy: 51 Lumens/Watt

Color Rendition Index: 90 CRI

Cable length: 6'(183cm)

Power supply: 24W

## CERTIFICATIONS



## PACKAGING WEIGHT AND DIMENSIONS

Talia Table	3.2LBS	18" X 8.1" X 2.2"
	1.5KG	46cm X 20.5cm X 6cm

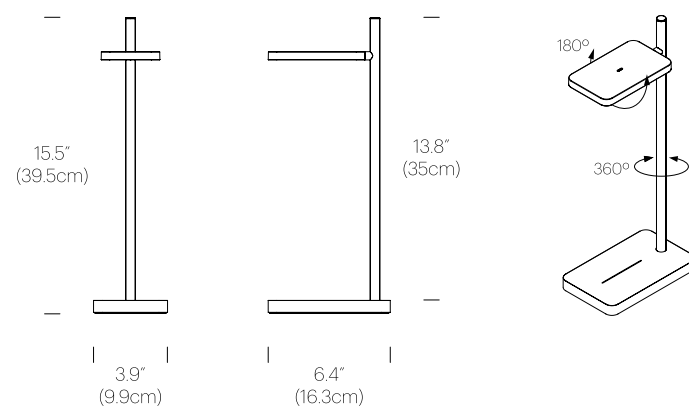


## FINISHES



## DIMENSIONS

TALIA TABLE



## NOTES

Custom requests can be considered on volume orders

# TALIA FLOOR

## DESCRIPTION

Talia's refined and compact design embraces only the essential elements to fulfill its purpose. Smart and powerful, Talia is designed for maximum light control, pairing fully dimmable and glare-free flat panel technology with 360° post rotation and 180° shade rotation to satisfy both task and ambient lighting needs alike. Talia is offered in 6 elegant colorway and metallic accent combinations to provide a refined touch to any setting and decor.

## FIXTURE TYPE

Floor

## LIGHT SOURCE

Flat panel LED

## LIGHT CONTROL

Optical switch

Full range dimming (100-10%)

2-stage dimming (100/40%)

## FEATURES

360° post rotation

180° shade rotation

ADA compliant

Flat Panel LED

6 hour auto off

## SPECIFICATIONS

Voltage: 120/240V 50-60Hz

Power Consumption: 5.1W MAX

Color temperature: 3000K

Luminosity: 350 Lumens

Luminaire efficacy: 51 Lumens/Watt

Color Rendition Index: 90 CRI

Cable length: 6'(183cm)

Power supply: 24W

## CERTIFICATIONS

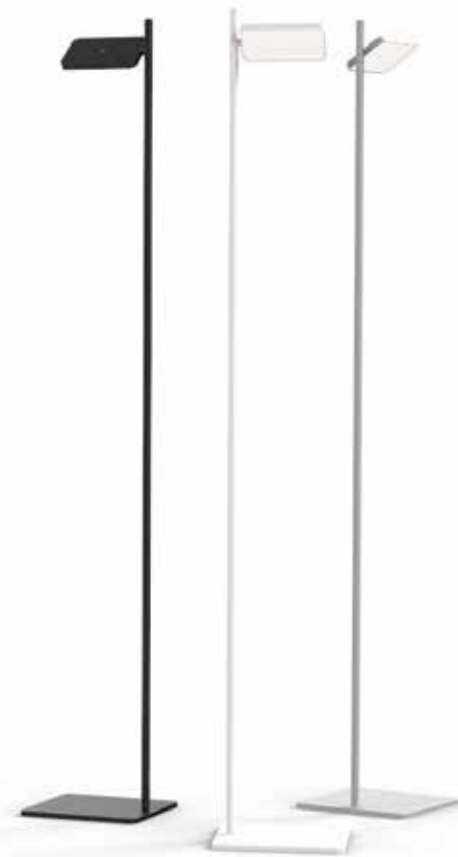


## PACKAGING WEIGHT AND DIMENSIONS

Talia Floor	7.5LBS	33.2" X 11.9" X 2.1"
	3.5KG	84cm X 30cm X 5.3cm

## NOTES

Custom requests can be considered on volume orders

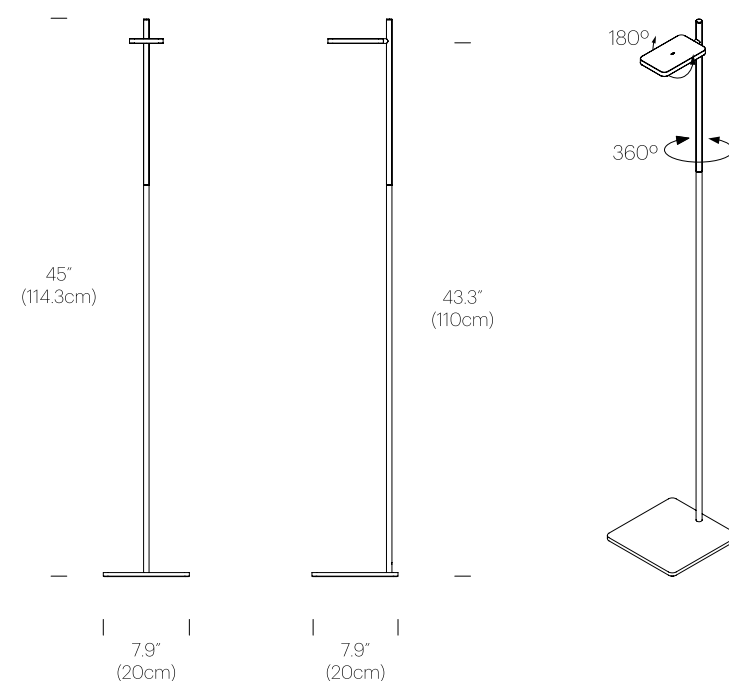


## FINISHES



## DIMENSIONS

TALIA FLOOR



# T.O

T.O celebrates and reinforces the importance of light as a pillar of our daily life. A monolithic column stands to support a horizontal and vertical line of light to provide precise light control in all directions. T.O embodies a harmonious dialogue between solidity and lightness offering unlimited contexts for use in residential and workplace environments, all within a minimal footprint. T.O features a fully dimmable LED light source with tactile push switch appropriately positioned at the end of arm. Both table and floor versions feature a magnetically attached light arm over a marble cylinder base while the light wand can be rotated up to 360 degrees to provide both direct and indirect light for task and ambient lighting needs alike. T.O is offered in 2 marble base finishes in Marquina black and Carrara white while the light arm is elegantly contrasted in polished surfaces in brass, chrome, graphite and ivory white. T.O is a seamless integration of functional lighting and sculpture.

Designer:  
Carmine Deganello + Pablo Studio 2021



# T.O TABLE

## DESCRIPTION

T.O celebrates and reinforces the importance of light as a pillar of our daily life. A monolithic column stands to support a horizontal and vertical line of light to provide precise light control in all directions. T.O embodies a harmonious dialogue between solidity and lightness offering unlimited contexts for use in residential and workplace environments, all within a minimal footprint. T.O features a fully dimmable LED light source with tactile push switch appropriately positioned at the end of arm. Both table and floor versions feature a magnetically attached light arm over a marble cylinder base while the light wand can be rotated up to 360 degrees to provide both direct and indirect light for task and ambient lighting needs alike. T.O is offered in 2 matte base finishes in Marquina black and Carrara white while the light arm is elegantly contrasted in polished surfaces in brass, chrome, graphite and ivory white. T.O is a seamless integration of functional lighting and sculpture.

## FIXTURE TYPE

Table

## LIGHT SOURCE

High output LED array

## LIGHT CONTROL

Mechanical push button  
Full range dimming (100-10%)  
2-stage dimming (100/40/%)

## FEATURES

360° arm rotation  
Advanced LED array eliminates multiple shadows

## SPECIFICATIONS

Voltage: 120-240V 50/60Hz  
Power Consumption: 4.5W  
Color Temperature: 3000K  
Luminosity: 300 Lumens  
Luminaire efficacy: 67 Lumens/Watt  
Color Rendition Index: 90 CRI  
Cord length: 6' (1.8m)

## CERTIFICATIONS



## PACKAGING WEIGHT AND DIMENSIONS

T.O Table	9LBS	10.2" X 19" X 2.4"
	4KG	26cm X 48cm X 6cm

## NOTES

Custom requests can be considered on volume orders



## FINISHES

T.O TABLE



MARQUINA BLACK/  
BRASS



CARRARA WHITE/  
CHROME



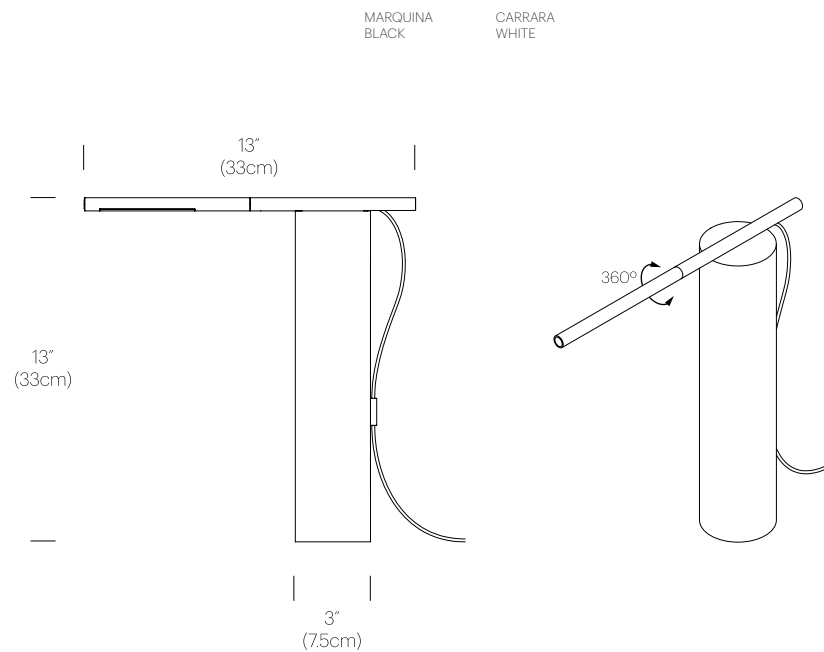
MARQUINA BLACK/  
WHITE



CARRARA WHITE/  
GRAPHITE

## DIMENSIONS

T.O TABLE



# T.O FLOOR

## DESCRIPTION

T.O celebrates and reinforces the importance of light as a pillar of our daily life. A monolithic column stands to support a vertical line of light to provide precise light control. T.O embodies a harmonious dialogue between solidity and lightness offering unlimited contexts for use in residential and workplace environments, all within a minimal footprint. T.O features a fully dimmable LED light source with tactile push switch appropriately positioned at the end of arm. Both table and floor versions feature a magnetically attached light arm over a marble cylinder base while the light wand can be rotated up to 360 degrees to provide both direct and indirect light for task and ambient lighting needs alike. T.O is offered in 2 matte base finishes in Marquina black and Carrara white while the light arm is elegantly contrasted in polished surfaces in graphite and ivory white. T.O is a seamless integration of functional lighting and sculpture.

## FIXTURE TYPE

Floor

## LIGHT SOURCE

High output LED array

## LIGHT CONTROL

Mechanical push button

Full range dimming (100-10%)

2-stage dimming (100/40%)

## FEATURES

360° arm rotation

Advanced LED array eliminates multiple shadows

## SPECIFICATIONS

Voltage: 120-240V 50/60Hz

Power Consumption: 10W

Color Temperature: 3000K

Luminosity: 700 Lumens

Luminaire efficacy: 70 Lumens/Watt

Color Rendition Index: 90 CRI

Cable Length: 6' (1.8m)

## CERTIFICATIONS



## PACKAGING WEIGHT AND DIMENSIONS

T.O Floor	8LBS	10.2" X 19" X 2.4"
(Base)	3.6KG	26cm X 48cm X 6cm
T.O Floor	2LBS	3" X 4" X 64"
(Lamp arm)	.9KG	7.6cm X 10cm X 162cm

## NOTES

Custom requests can be considered on volume orders



## FINISHES

### BASE



MARQUINA BLACK



CARRARA WHITE

### ARM



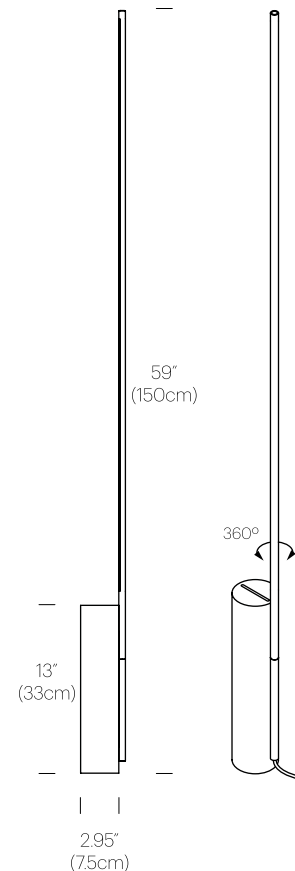
WHITE



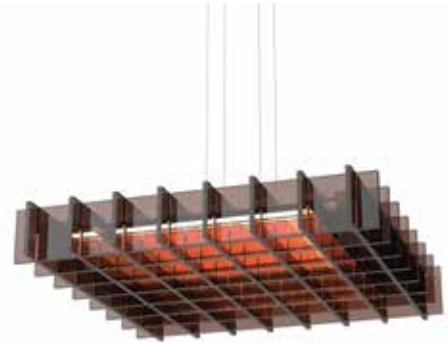
GRAPHITE

## DIMENSIONS

### T.O FLOOR



28 YEARS OF  
ILLUMINATION



**BELGIUM, NETHERLANDS & LUXEMBOURG**

VanMokum  
Amsterdam  
The Netherlands  
T: +31208203508  
E: info@vanmokum.com  
www.vanmokum.com

**ISRAEL**

Cley-or Art of Light  
6 Hanezach St.  
Ramat Hasharon  
Israel  
T: +972 73 705 5525  
E: office@cley-or.co.il

**SPAIN**

Tuscaloosa  
Filatures 1-8  
08690 Santa Coloma de Cervella  
Barcelona  
T: +34 670 288 505  
E: kstaib@tuscaloosa.es

**FINLAND**

Noneka Oy  
Helsinki Fashion House/Noneka Oy  
Mikkilantie 1 A  
00640 Helsinkin  
FINLAND  
E: info@noneka.fi  
T: +358 400 604 208

**ITALY**

TOLight Sas di Gianfausto Abbatinali  
Via Passo del Moncenisio, 40  
25136 - Brescia  
T: +39 030 200 92 32  
E: info@tolight.eu  
www.tolight.eu

**SWITZERLAND**

Wirzpartner  
gmbh für leuchten und licht  
werner weber strasse 11  
ch 8630 rüti  
T: +41 55 260 19 60  
www.wirzpartner.ch

**FRANCE**

TOLight Sas  
Eva Abrous  
Agent Commercial  
Région Parisienne et le  
Nord de la France  
T: 07 81 06 27 84  
E: eabrous@hotmail.com

MCB Lighting  
Marie-Christine BARTHOLET  
Rhon Alpes Auvergne Franche  
Conte+05  
T: 06 40 09 97 17  
E: mcblighting@outlook.com

Agence SAGOT  
Oliver Sagot  
North West France  
T: 06 31 69 82 56  
E: olivier@agencesagot.fr  
www.agencesagot.fr

**NORWAY, SWEDEN & DENMARK**

join agenturer  
Södra Förstadsgatan 3  
211 43 Malmö  
T: +46 730515456  
E: jonas@joinagenturer.se  
www.joinagenturer.se

**POLAND**

Interium Roman Rauch  
Ul. Grochowska 234/240  
04-368 Warszawa  
T: +48 22 303 97 75  
E: info@e-interium.pl  
www.e-interium.pl

**GERMANY**

ElbLUX  
Püttkampsweg 4  
22609 Hamburg  
T: +49 40 801190  
T: +49 170 2371356  
E: elblux@elblux.de

**PORTUGAL**

DomoLed  
Nucleo Empresarial da Abrunheira  
Zona Poente, Pav.4 Abrunheira Sintra  
2710-089  
T: +351 219 111 201  
E: geral@domoled.pt

**UNITED KINGDOM & IRELAND**

McInnes Cook LIGHT  
4-5 Rudgate Business Park  
Tockwith  
North Yorkshire, United Kingdom  
YO26 7RD  
T: +44 1423 359988  
E: info@mcinnescook.com  
www.mcinnescook.com

**PABLO DESIGNS B.V**

Pablo Designs EU  
13-15 Rijnkade  
1382GS, Weesp  
The Netherlands  
T: +31 318728107  
E: info@pablodesigns.eu  
www.pablodesigns.eu

**PABLO DESIGNS USA**

Pablo Designs  
888 Marin Street  
San Francisco, CA 94124  
T: +1 415 865 5000  
E: info@pablodesigns.com  
F: +1 415 865 0500  
www.pablodesigns.com



# Pablo®

INFO@PABLODESIGNS.COM  
888 MARIN STREET  
SAN FRANCISCO, CA 94124  
USA T: +1 415 865 5000  
F: +1 415 865 0500  
PABLODESIGNS.COM

INFO@PABLODESIGNS.EU  
Netherlands +31 31 872 8107  
PABLODESIGNS.EU